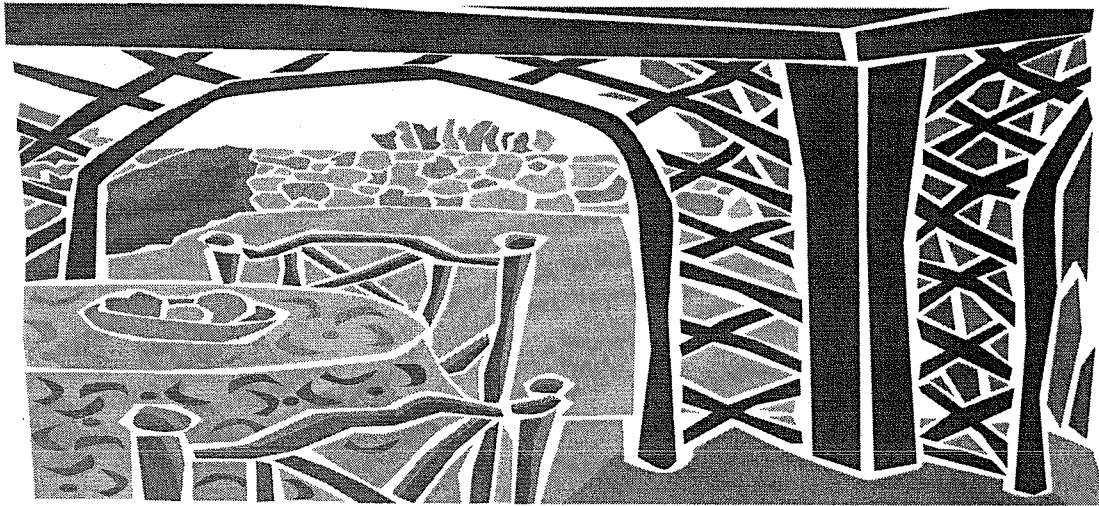


Sample Drawings



for a Deck Permit

To obtain a Building Permit for a deck, you required to submit the following:

- Completed Building Permit application form.
- 2 – Copies of a site plan.
- 2 – Copies of construction drawings (if not designed by the owner, than a BCIN Qualified Designer's Number is required, otherwise the drawings are to be owners original for compliance with Division C – Part 3.2.4.1(3)(b) of the OBC.)
- Building Permit Fees.

Check with the Building Inspector, to see if any further information is required for your site. i.e. - Septic, Lot Grading, Zoning Regulations and other Site Specific Requirements.

The sample drawings provided here are Minimum guidelines for a Building Permit



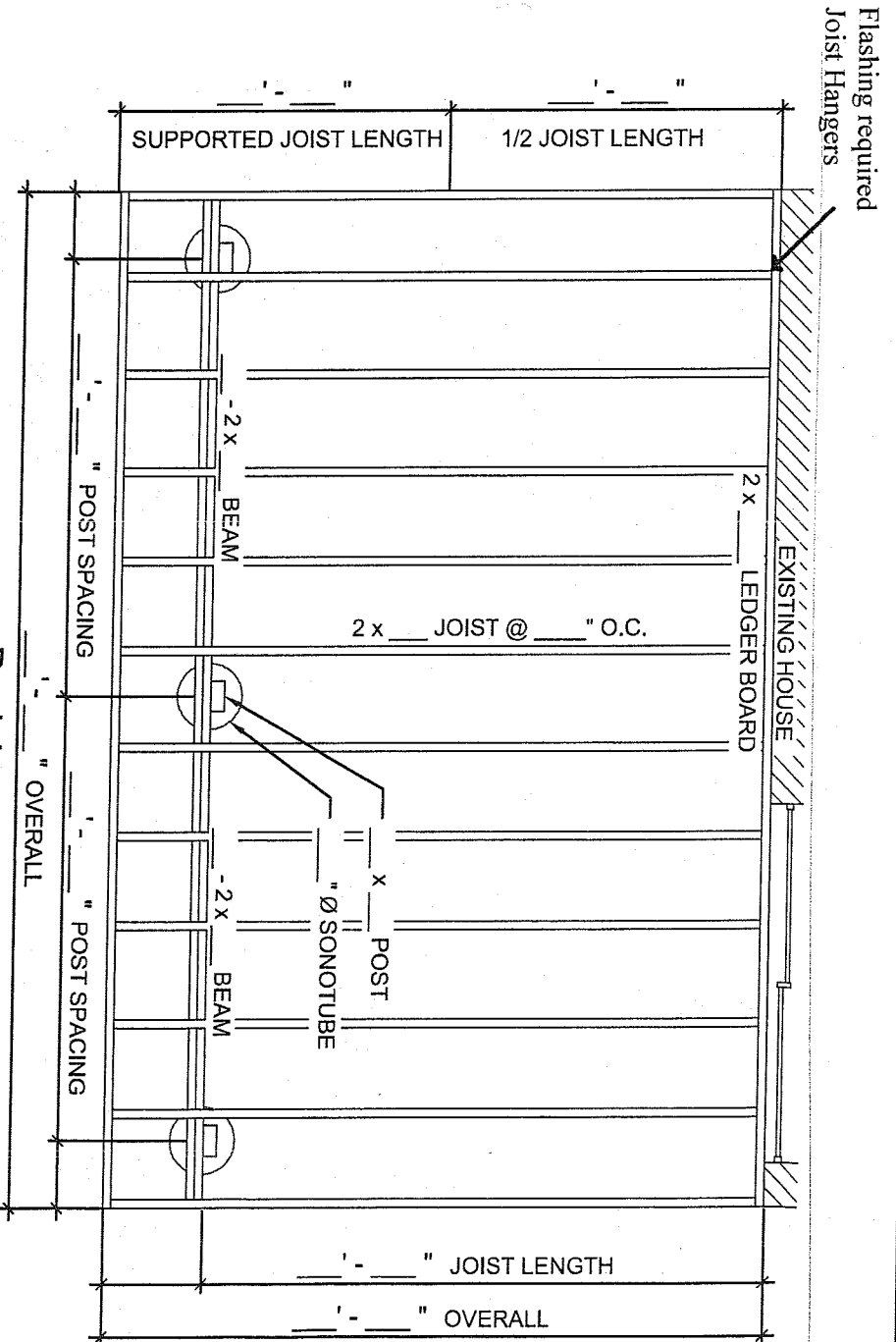
**BUILDING
DIVISION**

**DECK
DETAILS**

**DECK
LAYOUT
AND SPAN
TABLES**

**SCALE:
NOT TO SCALE**

**DATE:
SEPTEMBER 2009**



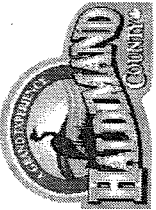
**All decking is to be 5/4 x 6 wood material or approved equal

Deck Layout

Maximum 2-Ply Beam Length			
Supported Joist Length	2 x 8	2 x 10	2 x 12
4'-0"	11'-7"	14'-10"	17'-4"
6'-0"	9'-10"	12'-1"	14'-0"
8'-0"	8'-7"	10'-6"	12'-3"
10'-0"	7'-8"	9'-4"	10'-8"
Maximum 3-Ply Beam Length			
8'-0"	10'-8"	13'-0"	15'-1"
10'-0"	9'-6"	11'-8"	13'-6"

Maximum Floor Joist Length		
Joist Size	Max. Span	Max. Cantilever
2x8 @ 12" O.C.	12'-6"	20"
2x8 @ 16" O.C.	11'-9"	16"
2x8 @ 24" O.C.	11'-0"	14"
2x10 @ 12" O.C.	14'-6"	28"
2x10 @ 16" O.C.	13'-8"	24"
2x10 @ 24" O.C.	12'-10"	20"
2x12 @ 12" O.C.	16'-5"	28"
2x12 @ 16" O.C.	15'-6"	24"
2x12 @ 24" O.C.	14'-6"	20"

Solid Blocking required for beams @ 18" o.c.
Additional Lateral Bracing may be required.
Confirm with Building Inspector at Framing Inspection.

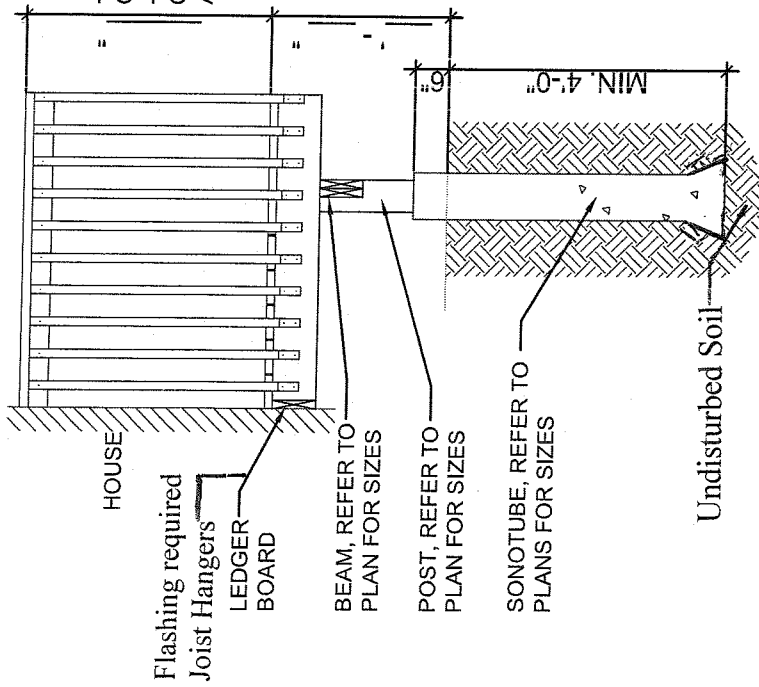


BUILDING DIVISION

DECK DETAILS

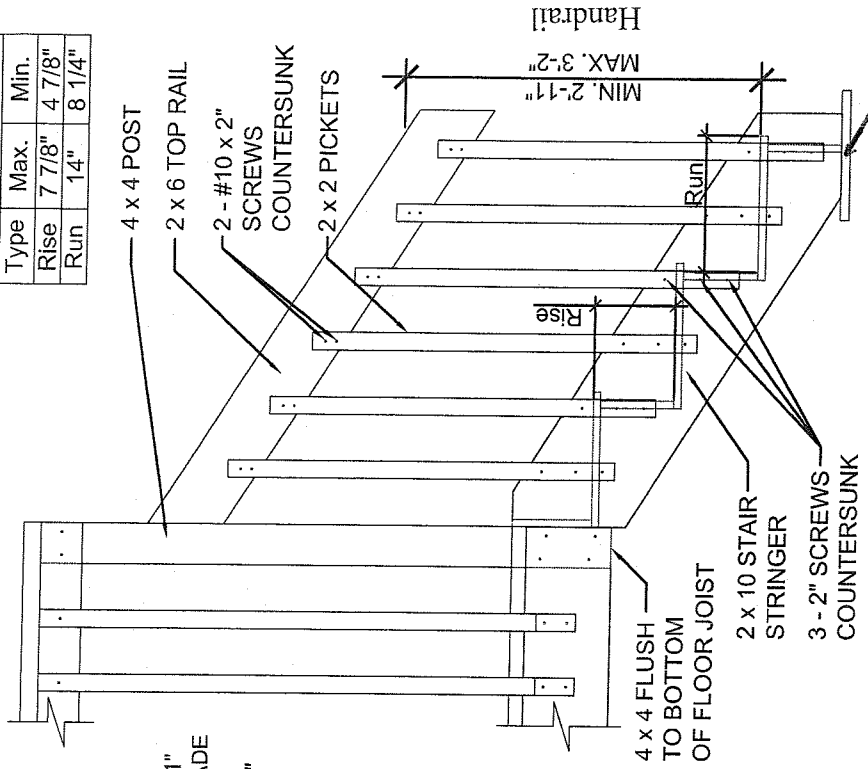
DECK ELEVATIONS AND DETAILS

SCALE: NOT TO SCALE
DATE: SEPTEMBER 2009



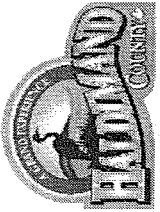
Deck Elevation

Stair Dimensions	
Type	Max. Min.
Rise	7 7/8" 4 7/8"
Run	14" 8 1/4"



Stair Detail

SONOTUBE SIZING TABLE																							
			SAND				LOAM				CLAY												
			PIER SIZE		PIER SPACING		PIER SIZE		PIER SPACING		PIER SIZE		PIER SPACING										
JOIST SPAN	1500 PSF	4000 PSF	4' - 1.2m	9" ϕ	230mm	6' - 1.8m	10" ϕ	254mm	8' - 2.4m	12" ϕ	305mm	4' - 1.2m	9" ϕ	230mm	6' - 1.8m	10" ϕ	254mm	8' - 2.4m	12" ϕ	305mm			
6'	1500 PSF	4000 PSF	9" ϕ	14" ϕ	356mm	10" ϕ	12" ϕ	305mm	12" ϕ	14" ϕ	356mm	9" ϕ	9" ϕ	230mm	9" ϕ	9" ϕ	230mm	9" ϕ	9" ϕ	230mm	9" ϕ	9" ϕ	230mm
1.8m	1500 PSF	4000 PSF	10" ϕ	16" ϕ	406mm	12" ϕ	16" ϕ	406mm	14" ϕ	18" ϕ	457mm	9" ϕ	9" ϕ	230mm	9" ϕ	9" ϕ	230mm	9" ϕ	9" ϕ	230mm	9" ϕ	9" ϕ	230mm
8'	1500 PSF	4000 PSF	10" ϕ	16" ϕ	406mm	12" ϕ	16" ϕ	406mm	14" ϕ	18" ϕ	457mm	9" ϕ	9" ϕ	230mm	9" ϕ	9" ϕ	230mm	9" ϕ	9" ϕ	230mm	9" ϕ	9" ϕ	230mm
2.44m	1500 PSF	4000 PSF	10" ϕ	16" ϕ	406mm	12" ϕ	16" ϕ	406mm	14" ϕ	18" ϕ	457mm	9" ϕ	9" ϕ	230mm	9" ϕ	9" ϕ	230mm	9" ϕ	9" ϕ	230mm	9" ϕ	9" ϕ	230mm
10'	1500 PSF	4000 PSF	10" ϕ	16" ϕ	406mm	12" ϕ	16" ϕ	406mm	14" ϕ	18" ϕ	457mm	9" ϕ	9" ϕ	230mm	9" ϕ	9" ϕ	230mm	9" ϕ	9" ϕ	230mm	9" ϕ	9" ϕ	230mm
3.05m	1500 PSF	4000 PSF	10" ϕ	16" ϕ	406mm	12" ϕ	16" ϕ	406mm	14" ϕ	18" ϕ	457mm	9" ϕ	9" ϕ	230mm	9" ϕ	9" ϕ	230mm	9" ϕ	9" ϕ	230mm	9" ϕ	9" ϕ	230mm
12'	1500 PSF	4000 PSF	10" ϕ	16" ϕ	406mm	12" ϕ	16" ϕ	406mm	14" ϕ	18" ϕ	457mm	9" ϕ	9" ϕ	230mm	9" ϕ	9" ϕ	230mm	9" ϕ	9" ϕ	230mm	9" ϕ	9" ϕ	230mm
3.66m	1500 PSF	4000 PSF	10" ϕ	16" ϕ	406mm	12" ϕ	16" ϕ	406mm	14" ϕ	18" ϕ	457mm	9" ϕ	9" ϕ	230mm	9" ϕ	9" ϕ	230mm	9" ϕ	9" ϕ	230mm	9" ϕ	9" ϕ	230mm



BUILDING DIVISION

DECK DETAILS

GUARD, POST BEAM, FOOTING & LEDGER BOARD

SCALE:

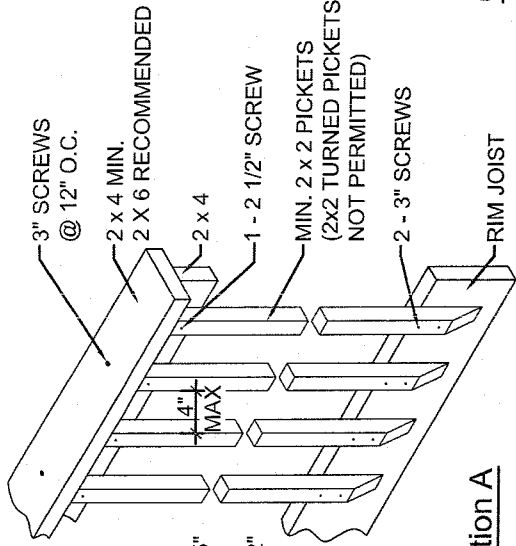
NOT TO SCALE

DATE:

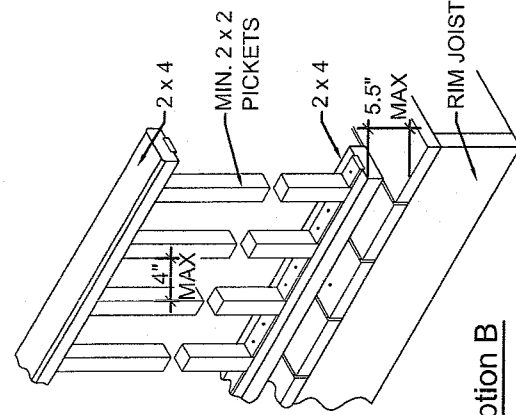
SEPTEMBER 2009

GUARDS

- MIN. GUARD HEIGHT WITH DECKS: - 5'-11" OR LESS
- ABOVE GROUND = 35"
- MORE THAN 5'-11" ABOVE GROUND = 42"

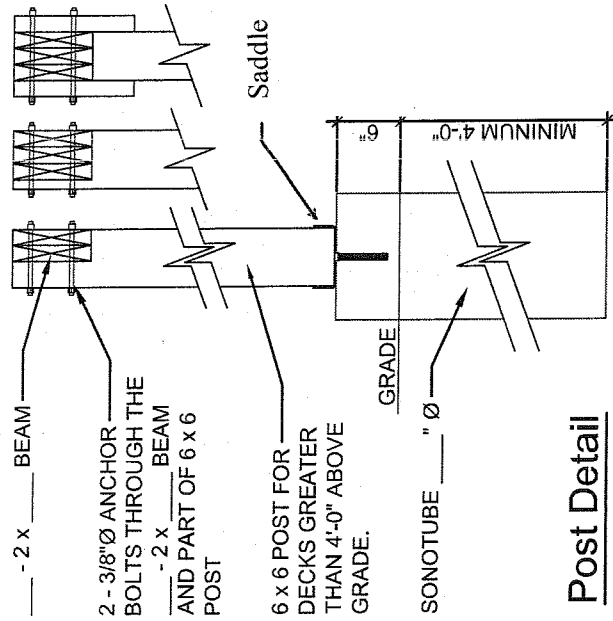


Option A



Option B

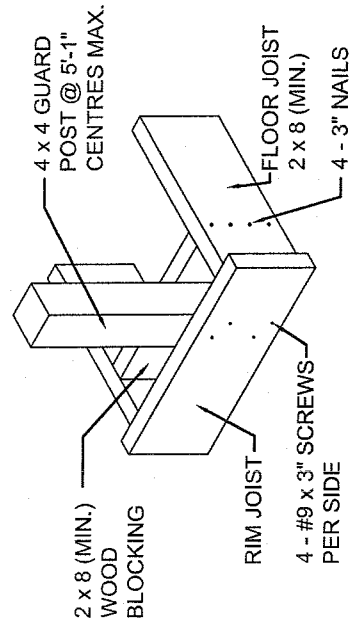
Guard Details



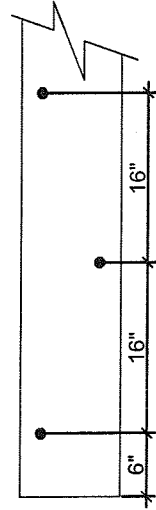
Post Detail

**SOLID BLOCKING REQUIRED FOR BEAMS @ 18" O.C.

**ADDITIONAL LATERAL BRACING MAY BE REQUIRED. CONFIRM WITH BUILDING INSPECTOR @ FRAMING INSPECTION.



Guard Post Detail



MINIMUM 3/8" Ø ANCHOR BOLTS @ 16" CENTRES STAGGERED. ANCHOR BOLTS MUST BE INTO WOOD FRAMING OR FOUNDATION WALL. DO NOT SECURE INTO BRICK VENEER ALONE.

Ledger Board Detail